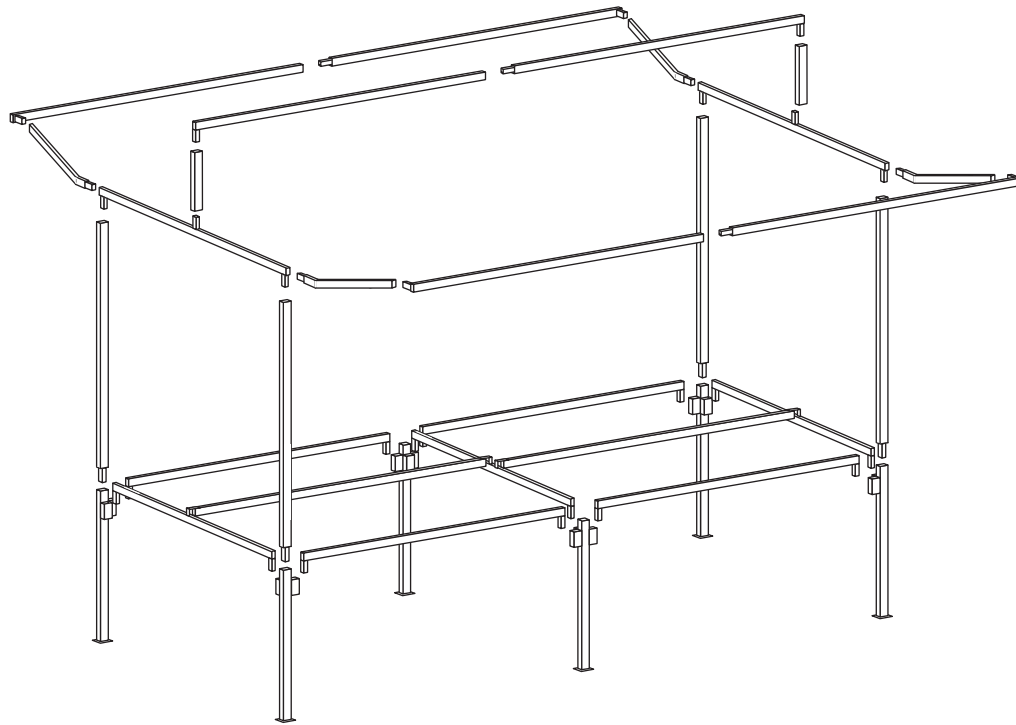


further details overleaf

SMALL MINI PARTS TRADITIONAL STALLS

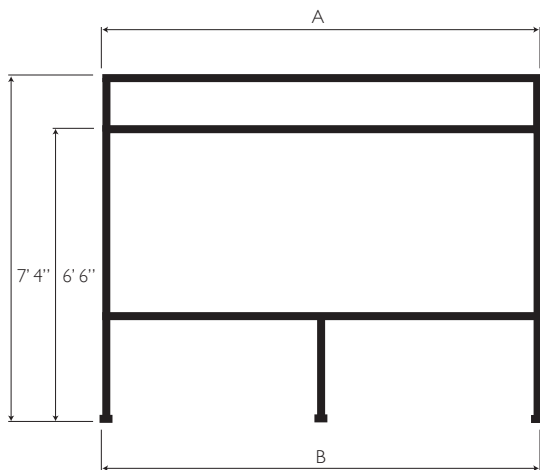
6' x 4' and 8' x 4'



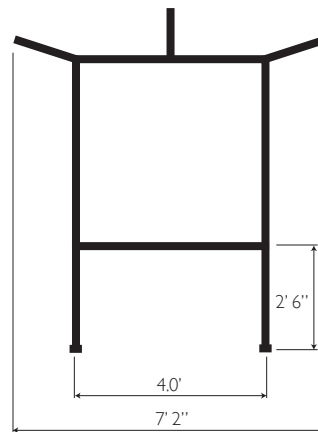
SPECIFICATIONS

| | # OF PARTS | WEIGHT STEEL ONLY / STARTER KIT | COVERS TO SUIT | COUNTERS TO SUIT | MAX. LENGTH |
|---------|------------|------------------------------------|-----------------------------------|----------------------|-------------|
| 6' x 4' | 31 | 54kg / 66kg | 12' x 18' (to cover top and back) | 3 off 4' x 2' boards | 4' 0.25" |
| 8' x 4' | 31 | 60kg / 74kg | 12' x 18' (to cover top and back) | 4 off 4' x 2' boards | 4' 4.25" |

All stalls are manufactured using 1" x 1" square mild steel and painted in a black hammer finish gloss.
 Stalls can be purchased as complete starter kits (steelwork, counter, cover and clips) or as steelwork only.
 We can manufacture stalls to your specification, please call with your requirements.



front view



side view

| | A | B |
|---------|---------|----|
| 6' x 4' | 5' 0.5" | 6' |
| 8' x 4' | 8' 0.5" | 8' |