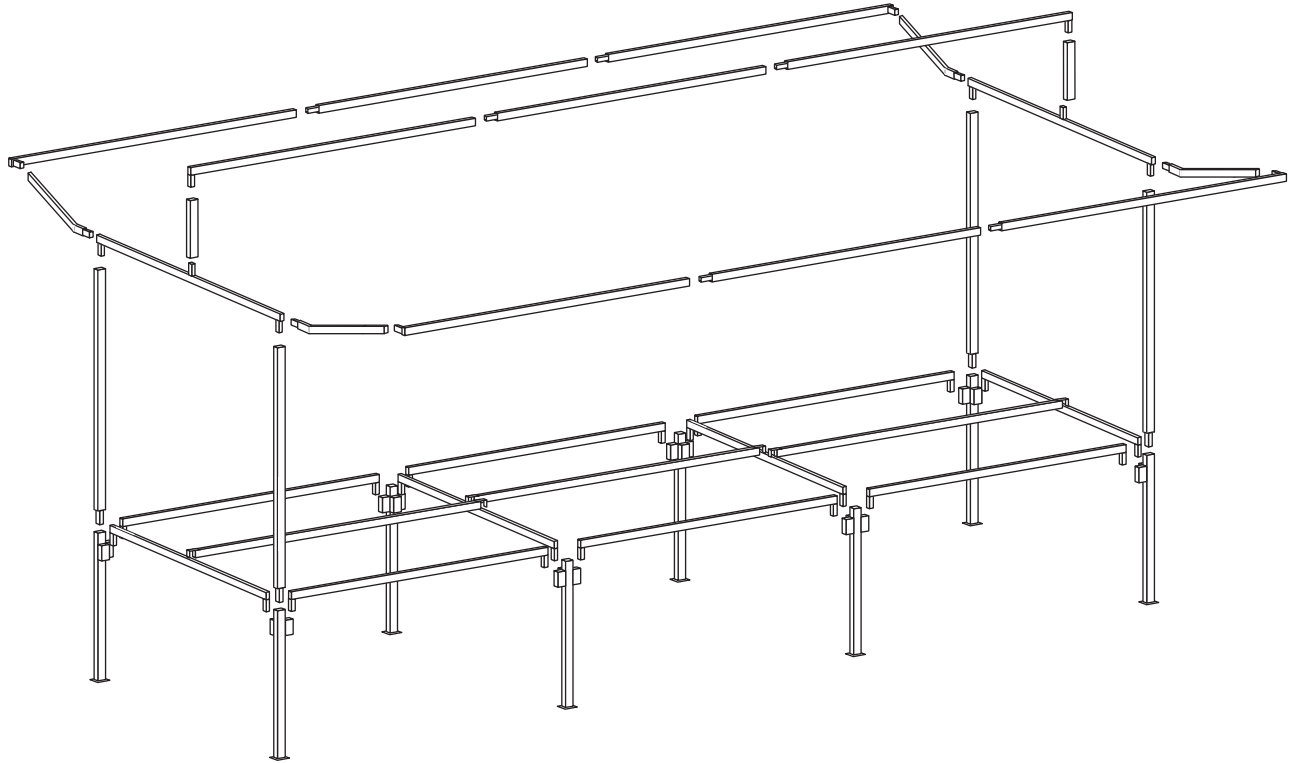


further details overleaf

# LARGE MINI PARTS TRADITIONAL STALLS

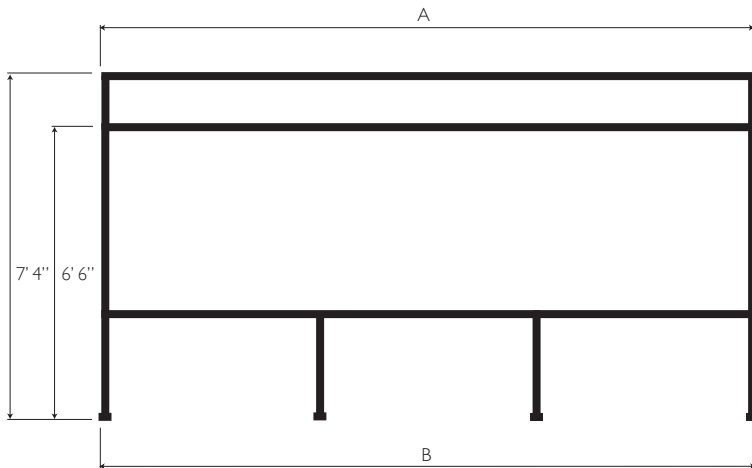
10' x 4' and 12' x 4'



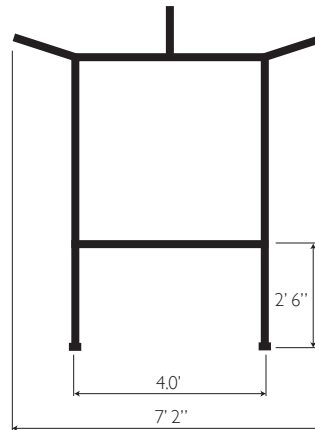
## SPECIFICATIONS

	# OF PARTS	WEIGHT STEEL ONLY / STARTER KIT	COVERS TO SUIT	COUNTERS TO SUIT	MAX. LENGTH
10' x 4'	40	66kg / 83kg	12' x 18' (to cover top and back)	5 off 4' x 2' boards	4' 4.25"
12' x 4'	40	70kg / 90kg	20' x 15' (to cover top and back)	6 off 4' x 2' boards	4' 4.25"

All stalls are manufactured using 1" x 1" square mild steel and painted in a black hammer finish gloss.  
 Stalls can be purchased as complete starter kits (steelwork, counter, cover and clips) or as steelwork only.  
 We can manufacture stalls to your specification, please call with your requirements.



front view



side view

	A	B
10' x 4'	10' 0.5"	10'
12' x 4'	12' 0.5"	12'