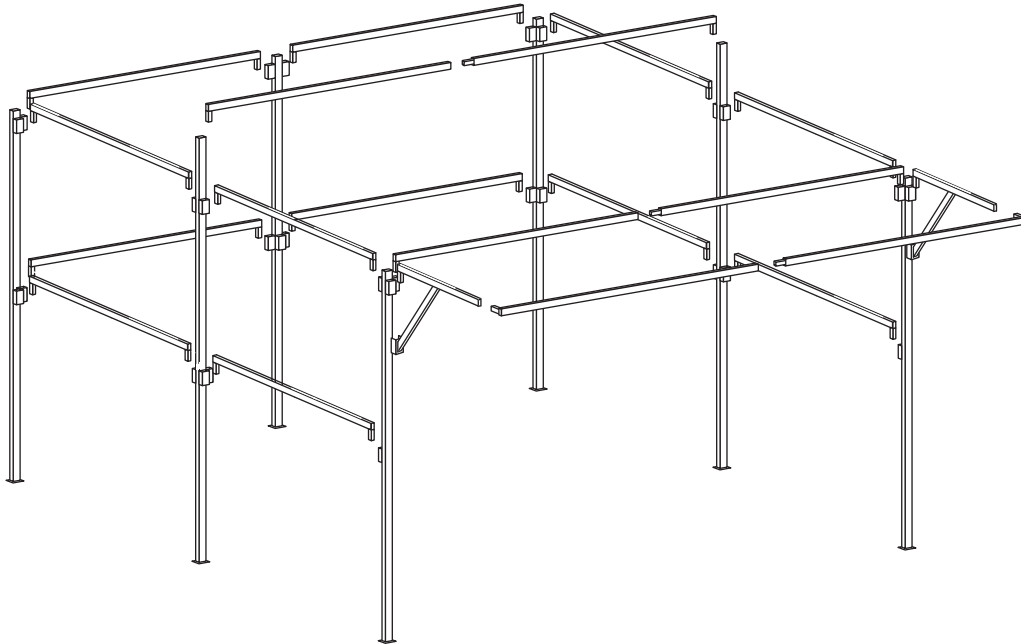


further details overleaf

FASHION STALLS

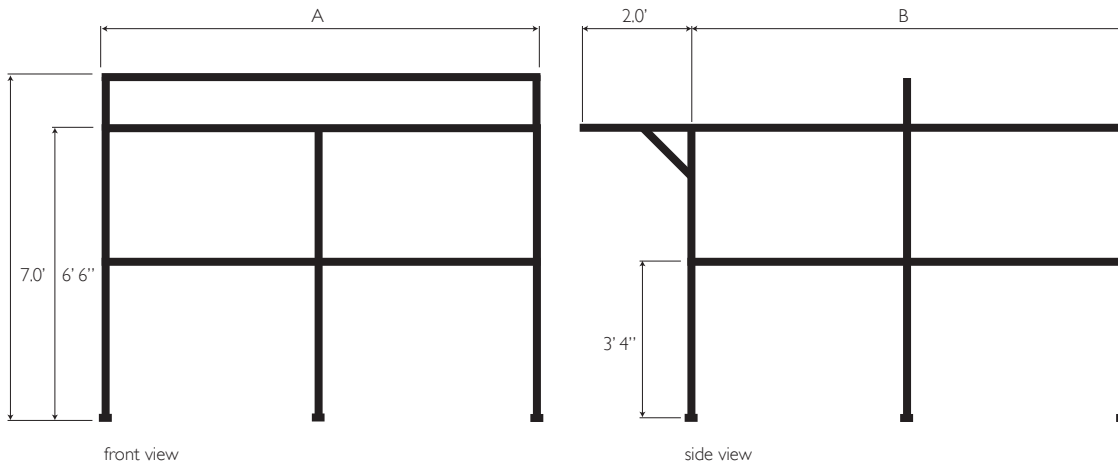
10' x 10', 12' x 10', 12' x 12', 14' x 10', 14' x 12' and 14' x 14'



SPECIFICATIONS

	# OF PARTS	WEIGHT STEEL ONLY / STARTER KIT	COVERS TO SUIT	MAX. LENGTH
10' x 10'	27	73kg / 78kg	1 off 12' x 18' (to cover top and back) 2 off 12' x 9' (to cover sides)	7.0'
12' x 10'	27	79kg / 84kg	1 off 20' x 15' (to cover top and back) 2 off 12' x 9' (to cover sides)	7.0'
12' x 12'	27	83kg / 88kg	1 off 23' x 18' (to cover top and back) 1 off 20' x 15' cut in half (to cover sides)	7.0'
14' x 10'	27	83kg / 88kg	1 off 20' x 15' (to cover top and back) 2 off 12' x 9' (to cover sides)	7' 4.25"
14' x 12'	27	88kg / 93kg	1 off 23' x 18' (to cover top and back) 1 off 20' x 15' cut in half (to cover sides)	7' 4.25"
14' x 14'	27	92kg / 97kg	1 off 23' x 18' (to cover top and back) 1 off 20' x 15' cut in half (to cover sides)	7' 4.25"

All stalls are manufactured using 1" x 1" square mild steel and painted in a black hammer finish gloss.
Stalls can be purchased as complete starter kits (steelwork, covers and clips) or as steelwork only.
We can manufacture stalls to your specification, please call with your requirements.



	A	B
10' x 10'	10'	10'
12' x 10'	12'	10'
12' x 12'	12'	12'
14' x 10'	14'	10'
14' x 12'	14'	12'
14' x 14'	14'	14'