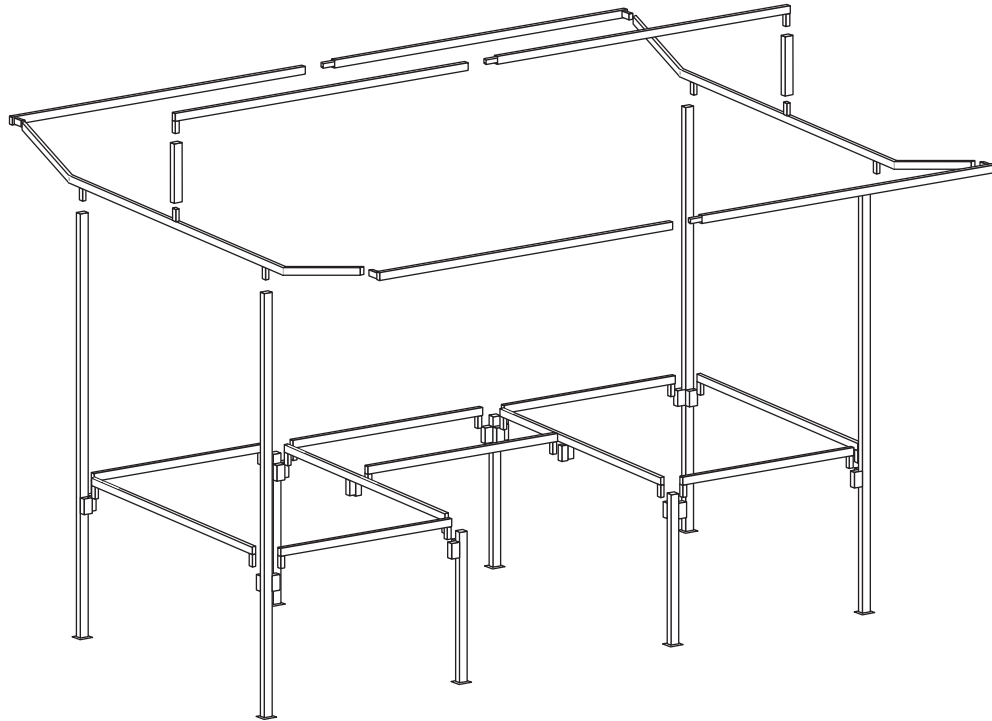


further details overleaf

# DEMONSTRATOR STALLS

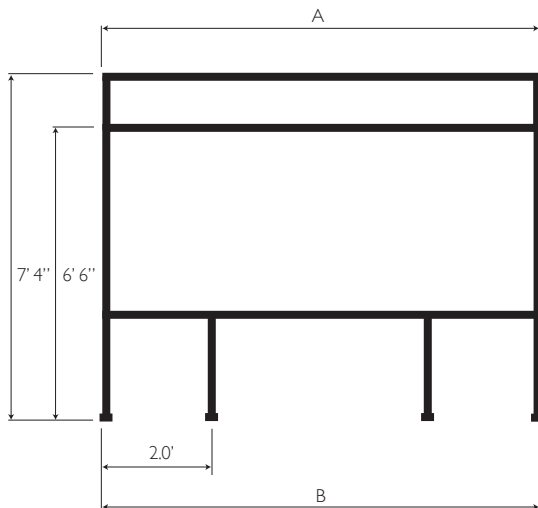
8' x 4' and 10' x 4'



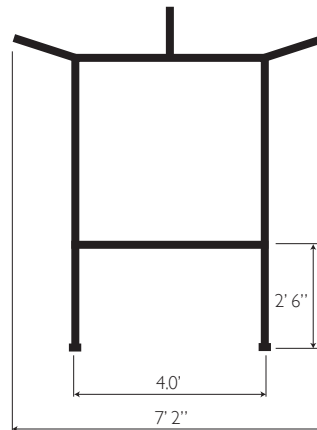
## SPECIFICATIONS

	# OF PARTS	WEIGHT STEEL ONLY / STARTER KIT	COVERS TO SUIT	COUNTERS TO SUIT	MAX. LENGTH
8' x 4'	28	51kg / 61kg	12' x 18' (to cover top and back)	3 off 4' x 2' boards	7.0' (may be reduced)
10' x 4'	28	56kg / 70kg	12' x 18' (to cover top and back)	1 off 4' x 2' board 2 off 3' x 4' boards	7.0' (may be reduced)

All stalls are manufactured using 1" x 1" square mild steel and painted in a black hammer finish gloss. Stalls can be purchased as complete starter kits (steelwork, counter, cover and clips) or as steelwork only. We can manufacture stalls to your specification, please call with your requirements.



front view



side view

	A	B
8' x 4'	8' 0.5"	8'
10' x 4'	10' 0.5"	10'